



Product Data Sheet

Description

illbruck Window Flashing Tape consists of a self adhesive butyl rubber material that is integrated on one side with a white UV resistant polyethylene film that serves as a protective top layer and an aggressive butyl on the reverse side. illbruck WFT has excellent resistance to weathering, abrasion and tearing. WFT is a component of the illbruck system for the proper sealing of windows and doors.

Material

illbruck Window Flashing Tape is a self-adhering butyl based flashing. The butyl is 18 mils with a 2.0-mil polyethylene film as the protective top layer. The butyl rubber is 100% solids and yields 100 feet per roll. WFT weighs between 6.3 lbs. and 18 lbs. depending on the width of the tape. The release liner is a one-sided siliconized paper. The tape is dimensionally stable in both longitudinal and transverse directions. The tape has an extended exposure time to UV, with the white film allowing exposure up to 120 days of the original application.

Color

Butyl tape is gray and the top film is white.

Unique Properties

- High Density Polyethylene
- Excellent UV resistance
- No VOCs
- For use in hot or cold climates

Dimensions

Item #	Tape width (in)	Units per box	Roll Length (ft)	Total Thickness of WFT
23588	4"	3	100	20 mil
23589	6"	2	100	20 mil
23590	9"	1	100	20 mil

2" and 12" width are available via special order, contact illbruck for details (minimum quantities needed for special order widths).



illbruck Window Flashing Tape

Tested Physical Properties illbruck Window Flashing Tape

Property	Test Method	Value
Chemical Basis	Butyl	100% Solids
Color	Visual Determination	Gray butyl with a white film
Water Resistance	ASTM D-779	Exceeds 72 Hours
Elongation (butyl)	ASTM D-3759	560% avg.
Tensile Strength	ASTM D-412	230 psi
VOC Content		0%
Application Temperature Range		35°F – 110°F
Ideal Storage Temperature		50°F – 77°F
Resistance Temperature		- 20°F – 200°F
Shelf Life		24 Months

Product Instructions

Window Flashing Tape

Suggested Tools

Pressure roller, utility knife, tape measure

Applications

WFT has an ideal profile that is designed for flashing exterior window and door perimeters. The intended use of WFT is to prevent water intrusion while protecting vital joints around windows and doors. The exterior application of the tape is to divert water around the window. WFT is designed for flashing head and jamb nail flanges and to function as a flashing for residential and light commercial fenestration products. illbruck Window Flashing Tape is ideal to use as a jamb and head solution for flashing windows and doors.

Limitations

- Do not adhere tape to substrates that have retained a high % of moisture
- Do not exceed unsupported spans that exceed 1/2"
- Do not over-stretch tape when installing

Preparing for Sealing

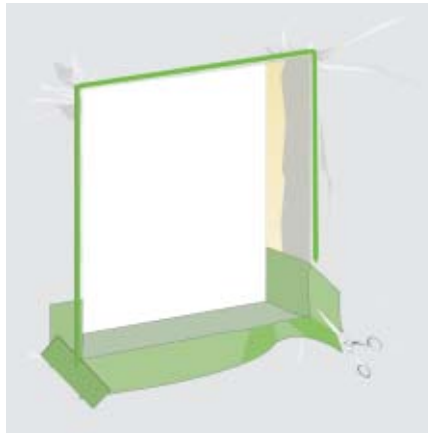
The substrate must be free of oil, grease, dust and debris. The white side of the tape faces the weathering side when applied. Substrate(s) should be free of moisture, frost and water for optimal adhesion. Remove all wrinkles by using a pressure roller after applying.

Priming

When applying tape between 35°F – 45°F a primer is recommended to increase initial adhesion.

Adhesion Pretest

illbruck recommends an adhesion pretest with materials in which it will be applied. A pretreatment with primer does enhance the initial adhesive properties on some tested surfaces.



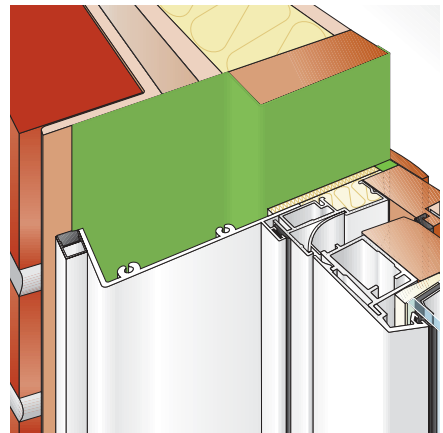
Apply flexible flashing in rough opening and overlap corners with Window Flashing Tape.



Install flanged window and apply Window Flashing Tape to both jambs (verticals) and then apply head Flashing Tape.



At head condition Window Flashing Tape should overlap both verticals in a shingle like manner.



Window Flashing Tape can be used in a through wall flashing detail. Contact illbruck customer service for more details.

Recommendations

illbruck WFT should be used with installation techniques endorsed by illbruck engineering. illbruck suggests following the installation practice of future versions of ASTM E-2112 and also follow the AAMA Installation Masters™ Program.

Specification Compliance

- Exceeds flexible-flashing requirements called out in ASTM E-2112 section 5.13.3.1
- Inquire with illbruck for further internally testing and developments regarding specification compliance
- illbruck is proud members of the American Architectural Manufacturers Association



Service

Contact illbruck customer service for detailed information or ordering samples.

Safety Recommendations

Refer to the Material Safety Data Sheet for detailed safety information. MSDS can be obtained by calling illbruck Sealant Systems customer service at 1(800) 438-0684. Read MSDS, product data sheet and label prior to using the product.

Additional information

The above mentioned information only contains general recommendations. Due to the many different conditions in which applications take place, illbruck can exert no influence on the multiplicity of materials it is in contact with. Extensive testing is advised to examine the characteristics of the material for each specific application. All data recommendations given in this product data sheet are given in good faith and based upon information which we believe to be reliable. No liability regarding application or circumstances during application can be accepted.